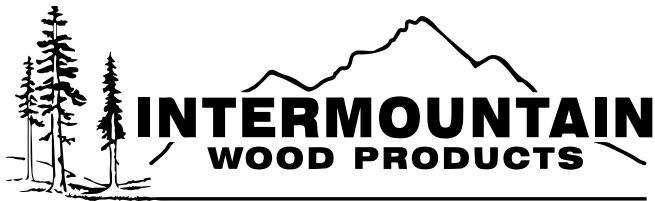


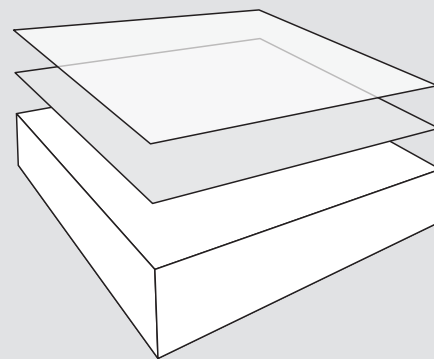
# vintage

Go bold with the look of **reclaimed wood** and the price of a composite panel.



Intermountain's textured laminates are popular with architects, designers, and homeowners. Textured laminates are perfect for cabinetry, wall panels, slatwall, retail displays, and vertical surfaces.

For nearly 100 years, Intermountain Wood Products has built a network of eleven locations throughout the western US. Specialize in products for cabinet manufacturers and the specialty product industry, Intermountain offers knowledgeable experts and amazing customer service. Textured TFL (also known as textured melamine), is available through our friendly Distribution Centers.



- Finish / Texture
- Color / Design
- Core



#### Edgebanding

is available in matching design and finish (texture)



#### Panel Size

- Standard: 5'x8'
- Available: 4'x8', 4'x10', 5'x10' \*



#### Core Thickness

1/4", 1/2", 5/8", 3/4", 1", 1 1/8", 1 1/2" \*



(801) 486-5414

